

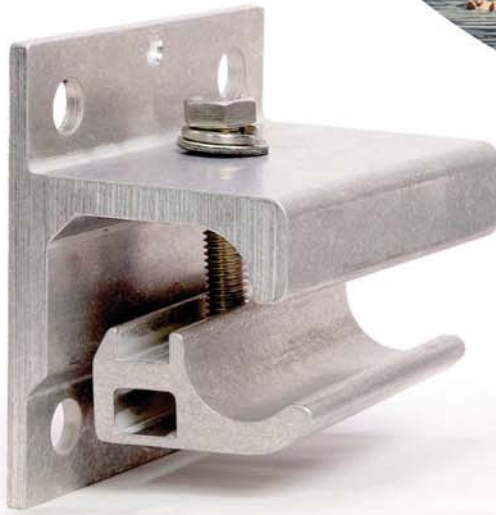
DockHinge

by **DOCK EDGE** 

DONE. EASY.

**THE MOST INNOVATIVE
DOCK COUPLER EVER.**

DockHinge solves every pain-point. It will make dock building easier, set-up faster, dock owners happier and your business healthier.



Self contained: never lose a pin again.

Self-aligning: functions from above with one tool.

Self-supporting of heavy dock loads

Silent: no metal-on-metal



AVAILABLE AT
C.C. MARINE
DISTRIBUTORS INC. 



Scan QR code to see it in action!

Unlike any other dock coupler on the market

EASIER

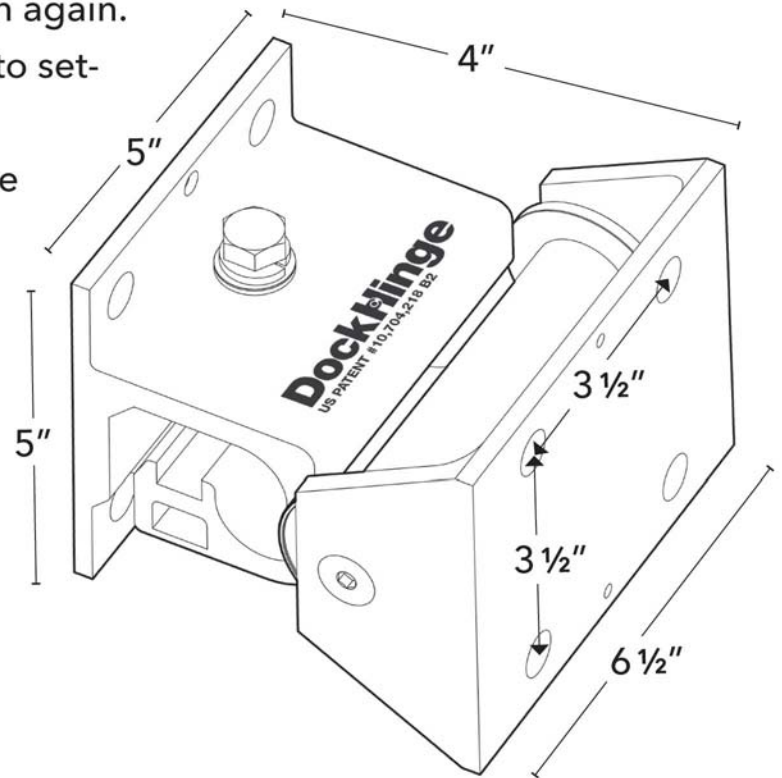
- Self-contained: never drop or lose a pin again.
- Self-supporting: easy for dock owners to set-up & take-down their own docks.
- Self-aligning: functions from above, one $\frac{3}{4}$ " socket, secures in seconds.

QUIETER

- Patented bushing system means no metal-on-metal squeaking - virtually silent!
- Wide range of motion allows for fluctuating water levels and wave action with less noise

SAFER

- Standard mounting pattern with $\frac{3}{8}$ " & $\frac{1}{2}$ " carriage bolt sets.
- Easy to install & align, works with existing corner brackets, backing plates and hardware.
- Safer for dock builders & owners: carries the heavy loads & no fingers between heavy docks.



CC NO.

Description

440-85328

DockHinge Aluminum $\frac{15}{32}$ " hole for $\frac{3}{8}$ " Hardware

440-85329

DockHinge Aluminum $\frac{5}{8}$ " hole for $\frac{1}{2}$ " Hardware