

XTREME POWER ASSIST STEERING SYSTEM

C.C. MARINE
DISTRIBUTORS INC. 

SIMPLE INSTALLATION AND SMOOTH HANDLING



**CLICK
HERE**

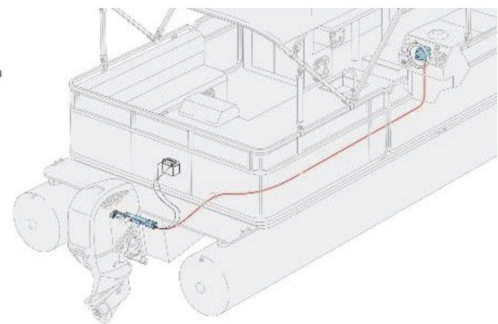
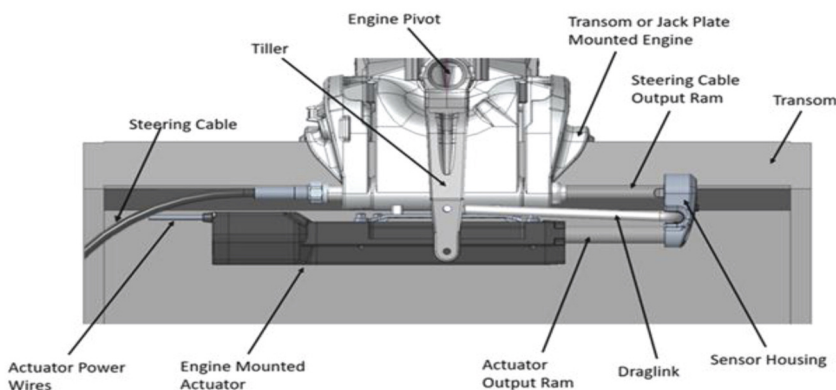
XTREME POWER ASSIST

The Xtreme Power Assist is engineered to bring the smooth, easy control of electric power-assisted steering to a wide range of popular boats, including pontoons, runabouts, RIBS, aluminum fishing boats and center consoles.

FEATURES:

- Significantly reduced steering effort provides a car-like driving experience for mechanically steered boats.
- Mechanically steered outboard boats from 90-200HP.
- No increased load on steering cable whether turning to port or starboard.
- Integrates with any existing Dometic rack or rotary single cable steering system.
- Can be installed in under 30 minutes. Simple electrical 12' harness connection to battery.
- Built in fail-safe system automatically reverts to mechanical steering in the event of a system failure.
- 12V. Required, low amperage on demand only powerdraw
- 7.5pounds
- No CAN network installation required.

SYSTEM OVERVIEW



CC ORDER NO. 085-10120

Mfr. No. XPA1012P

 **DOMETIC**